



Replacement handles

Replacement Handles

INTRODUCTION

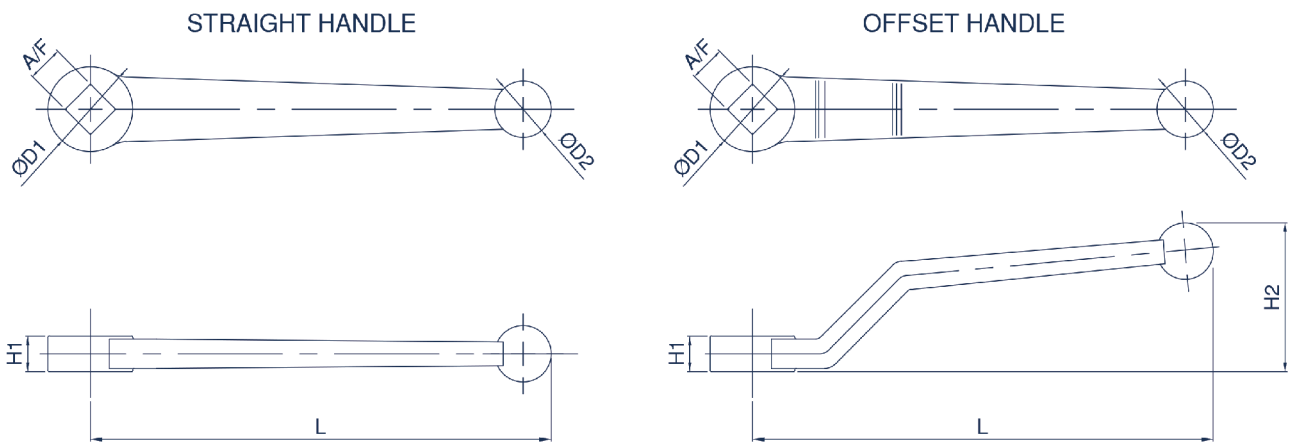
Holmbury offers a range of replacement handles in various configurations and materials.



SPECIFICATIONS

- To suit Holmbury Ball Valve Range with Ball Valve Stem SW (A/F) 9, 14 & 17





REPLACEMENT VALVE HANDLE OPTIONS

Valve Size	Replacement Handle Option	D1		A/F		D2		H1		L		H2	
		mm	inch	mm	inch	mm	inch	mm	inch	mm	inch	mm	inch
4-12	SW9 Code 04	25.0	0.98	9.0	0.35	15.0	0.59	8.5	0.33	120.0	4.72	35.0	1.38
	SW9 Code 05	24.0	0.94	9.0	0.35	16.0	0.63	8.5	0.33	145.0	5.71	NA	NA
	SW9 Code 06	26.0	1.02	9.0	0.35	16.0	0.63	8.5	0.33	130.0	5.12	38.0	1.50
19-40	SW14 Code 04	32.0	1.26	14.0	0.55	20.5	0.81	13.0	0.51	170.0	6.69	55.0	2.17
	SW14 Code 05	32.0	1.26	14.0	0.55	21.0	0.83	13.0	0.51	200.0	7.87	NA	NA
	SW14 Code 06	33.0	1.30	14.0	0.55	21.0	0.83	13.0	0.51	181.0	7.13	61.0	2.40
50	SW17 Code 05	36.0	1.42	17.0	0.67	24.0	0.94	15.0	0.59	260.0	10.24	NA	NA
	SW17 Code 06	36.0	1.42	17.0	0.67	24.0	0.94	15.0	0.59	235.0	9.25	75.0	2.95

OPTIONAL HANDLES

	Part number	Material
A/F 9	SW9 Code 04	Zinc Alloy, Offset Handle
	SW9 Code 05	Forged Steel, Straight Handle
	SW9 Code 06	Forged Steel, Offset Handle
A/F 14	SW14 Code 04	Zinc Alloy, Offset Handle
	SW14 Code 05	Forged Steel, Straight Handle
	SW14 Code 06	Forged Steel, Offset Handle
A/F 17	SW17 Code 05	Forged Steel, Straight Handle
	SW17 Code 06	Forged Steel, Offset Handle

Handles are also available in stainless steel 316.